

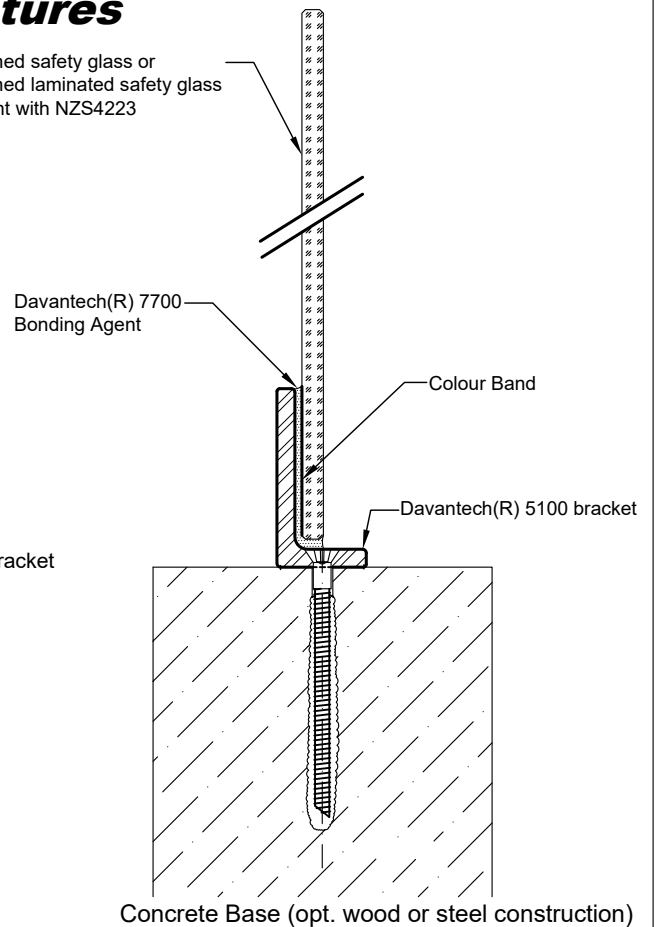
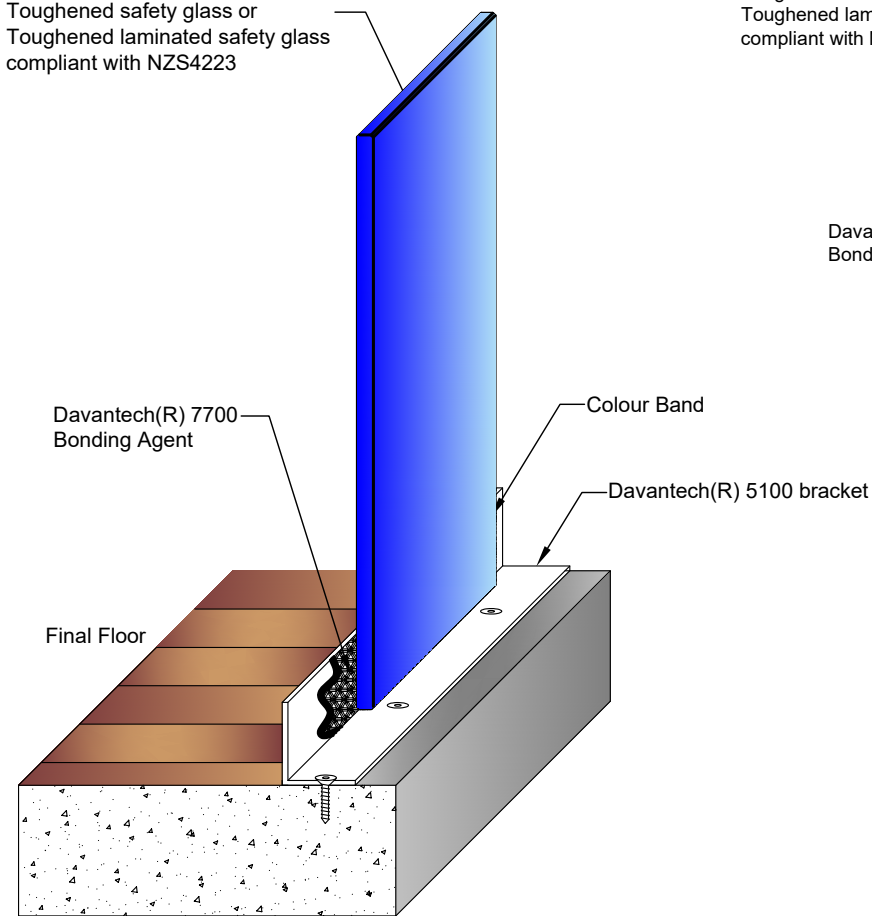
DAVANTECH 5100 top fix system



Zero Mechanical Fixing - Extra Strength
- Commercial and Residential
- For Exterior/Interior use
- Concrete/Timber/Metal Substructures

Toughened safety glass or
 Toughened laminated safety glass
 compliant with NZS4223

Toughened safety glass or
 Toughened laminated safety glass
 compliant with NZS4223



Concrete Base (opt. wood or steel construction)

Technical CAD drawing available.



www.glassforce.co.nz www.davantech.co.nz

Glassforce Ltd.

56 Newtown St. - Christchurch - 03 384 3077 - office@glassforce.co.nz

Drawn:
 Scale: A4 NS

